

По вопросам продаж и поддержки обращайтесь:

| | | |
|-----------------------------|---------------------------------|--------------------------------|
| Архангельск (8182)63-90-72 | Краснодар (861)203-40-90 | Рязань (4912)46-61-64 |
| Астана (7172)727-132 | Красноярск (391)204-63-61 | Самара (846)206-03-16 |
| Белгород (4722)40-23-64 | Курск (4712)77-13-04 | Санкт-Петербург (812)309-46-40 |
| Брянск (4832)59-03-52 | Липецк (4742)52-20-81 | Саратов (845)249-38-78 |
| Владивосток (423)249-28-31 | Магнитогорск (3519)55-03-13 | Смоленск (4812)29-41-54 |
| Волгоград (844)278-03-48 | Москва (495)268-04-70 | Сочи (862)225-72-31 |
| Вологда (8172)26-41-59 | Мурманск (8152)59-64-93 | Ставрополь (8652)20-65-13 |
| Воронеж (473)204-51-73 | Набережные Челны (8552)20-53-41 | Тверь (4822)63-31-35 |
| Екатеринбург (343)384-55-89 | Нижний Новгород (831)429-08-12 | Томск (3822)98-41-53 |
| Иваново (4932)77-34-06 | Новокузнецк (3843)20-46-81 | Тула (4872)74-02-29 |
| Ижевск (3412)26-03-58 | Новосибирск (383)227-86-73 | Тюмень (3452)66-21-18 |
| Казань (843)206-01-48 | Орел (4862)44-53-42 | Ульяновск (8422)24-23-59 |
| Калининград (4012)72-03-81 | Оренбург (3532)37-68-04 | Уфа (347)229-48-12 |
| Калуга (4842)92-23-67 | Пенза (8412)22-31-16 | Челябинск (351)202-03-61 |
| Кемерово (3842)65-04-62 | Пермь (342)205-81-47 | Череповец (8202)49-02-64 |
| Киров (8332)68-02-04 | Ростов-на-Дону (863)308-18-15 | Ярославль (4852)69-52-93 |

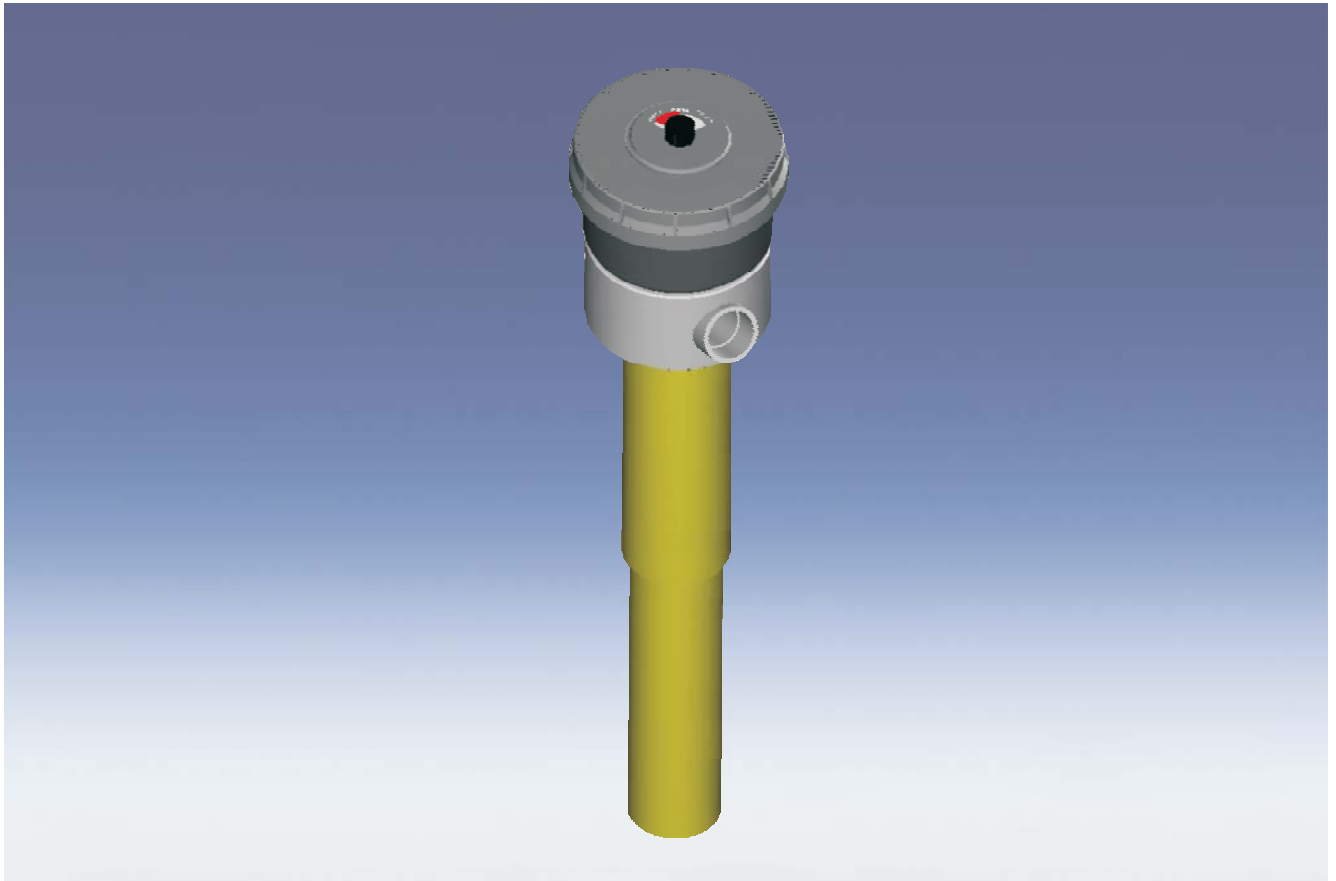
Единый адрес: beh@nt-rt.ru **Веб-сайт:** www.bhr.nt-rt.ru

Модифицированные приборы Filling Adapter G1/2-DC Buhler

Filling Adapter G1/2-DC

Filling Adapter G 1-DC

- Daimler Specification -



The reduction of maintenance costs is of very high importance to operators of fluid power and lubrication systems. Therefore systematic oil care is considered a high priority. Only if the oil is kept in good condition can the lifetime of both oil and system components be optimized cost effectively.

Systematic oil care also requires changes to current filling and topping up practices. The use of filter carts makes this task more efficient.

In order to reduce installation costs and space the combination of a breather filter with filling and sample port has been designed. Both ports are equipped with quick disconnects for fast and clean operation. The filling channel is completely separated from the breathing function. The breather filter element is disposable and available in different retention rates and materials. A contamination indicator for the filter is available either as a visual or electrical unit.

The filling adapter in the configuration shown overleaf complies with the Daimler requirements.

Please note that our programme contains more Daimler specific versions of the Nivotemp and Nivovent series.

- **Easy installation**
- **Compact design**
- **Clean operation**
- **Visual filter indicator 50%, 75% and 100%**
- **DIN flange fits on existing reservoirs**

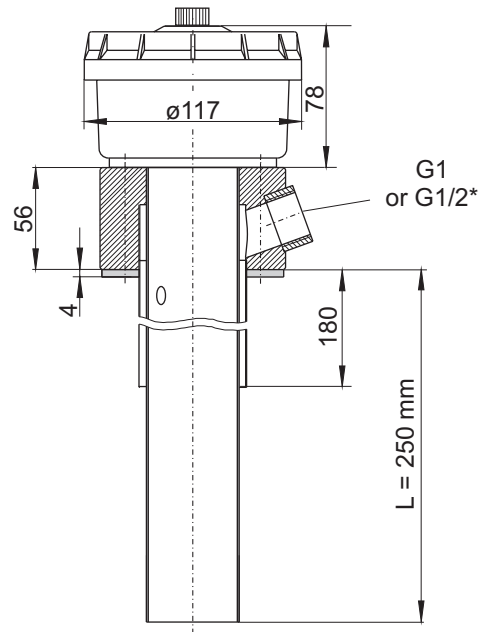
Technical Data

| | |
|-------------------------|-------------------|
| Operating temperature | max. 80 °C |
| Retention rate | SM-L (3 µm) |
| Visual filter indicator | 50%, 75% and 100% |

Material

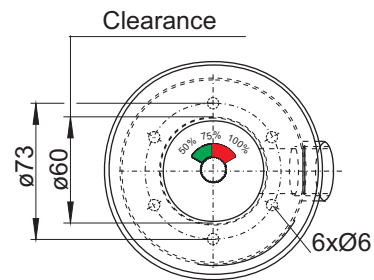
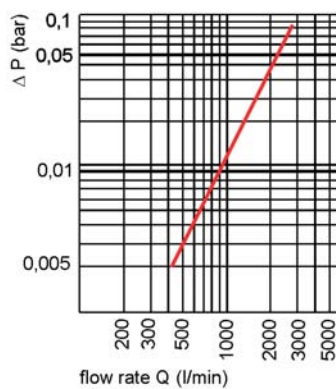
| | |
|---------------------------|------------------|
| Breather housing material | Polyamid |
| Flange | galvanised steel |
| Tube | brass |

Dimensions (mm)



*For connecting G1/2 flange use adapter

Low / Differential Pressure Diagram



Order Information

Filling adapter G1/2-DC with breather SM-L

| | |
|-----------------|-----------------|
| Part No. | Length L |
| 1088299 | 250 mm |

Filling adapter G1-DC with breather SM-L

| | |
|-----------------|-----------------|
| Part No. | Length L |
| 1088499 | 250 mm |

По вопросам продаж и поддержки обращайтесь:

| | | |
|-----------------------------|---------------------------------|--------------------------------|
| Архангельск (8182)63-90-72 | Краснодар (861)203-40-90 | Рязань (4912)46-61-64 |
| Астана (7172)727-132 | Красноярск (391)204-63-61 | Самара (846)206-03-16 |
| Белгород (4722)40-23-64 | Курск (4712)77-13-04 | Санкт-Петербург (812)309-46-40 |
| Брянск (4832)59-03-52 | Липецк (4742)52-20-81 | Саратов (845)249-38-78 |
| Владивосток (423)249-28-31 | Магнитогорск (3519)55-03-13 | Смоленск (4812)29-41-54 |
| Волгоград (844)278-03-48 | Москва (495)268-04-70 | Сочи (862)225-72-31 |
| Вологда (8172)26-41-59 | Мурманск (8152)59-64-93 | Ставрополь (8652)20-65-13 |
| Воронеж (473)204-51-73 | Набережные Челны (8552)20-53-41 | Тверь (4822)63-31-35 |
| Екатеринбург (343)384-55-89 | Нижний Новгород (831)429-08-12 | Томск (3822)98-41-53 |
| Иваново (4932)77-34-06 | Новокузнецк (3843)20-46-81 | Тула (4872)74-02-29 |
| Ижевск (3412)26-03-58 | Новосибирск (383)227-86-73 | Тюмень (3452)66-21-18 |
| Казань (843)206-01-48 | Орел (4862)44-53-42 | Ульяновск (8422)24-23-59 |
| Калининград (4012)72-03-81 | Оренбург (3532)37-68-04 | Уфа (347)229-48-12 |
| Калуга (4842)92-23-67 | Пенза (8412)22-31-16 | Челябинск (351)202-03-61 |
| Кемерово (3842)65-04-62 | Пермь (342)205-81-47 | Череповец (8202)49-02-64 |
| Киров (8332)68-02-04 | Ростов-на-Дону (863)308-18-15 | Ярославль (4852)69-52-93 |

Единый адрес: beh@nt-rt.ru **Веб-сайт:** www.bhr.nt-rt.ru