

По вопросам продаж и поддержки обращайтесь:

| | | |
|-----------------------------|---------------------------------|--------------------------------|
| Архангельск (8182)63-90-72 | Краснодар (861)203-40-90 | Рязань (4912)46-61-64 |
| Астана (7172)727-132 | Красноярск (391)204-63-61 | Самара (846)206-03-16 |
| Белгород (4722)40-23-64 | Курск (4712)77-13-04 | Санкт-Петербург (812)309-46-40 |
| Брянск (4832)59-03-52 | Липецк (4742)52-20-81 | Саратов (845)249-38-78 |
| Владивосток (423)249-28-31 | Магнитогорск (3519)55-03-13 | Смоленск (4812)29-41-54 |
| Волгоград (844)278-03-48 | Москва (495)268-04-70 | Сочи (862)225-72-31 |
| Вологда (8172)26-41-59 | Мурманск (8152)59-64-93 | Ставрополь (8652)20-65-13 |
| Воронеж (473)204-51-73 | Набережные Челны (8552)20-53-41 | Тверь (4822)63-31-35 |
| Екатеринбург (343)384-55-89 | Нижний Новгород (831)429-08-12 | Томск (3822)98-41-53 |
| Иваново (4932)77-34-06 | Новокузнецк (3843)20-46-81 | Тула (4872)74-02-29 |
| Ижевск (3412)26-03-58 | Новосибирск (383)227-86-73 | Тюмень (3452)66-21-18 |
| Казань (843)206-01-48 | Орел (4862)44-53-42 | Ульяновск (8422)24-23-59 |
| Калининград (4012)72-03-81 | Оренбург (3532)37-68-04 | Уфа (347)229-48-12 |
| Калуга (4842)92-23-67 | Пенза (8412)22-31-16 | Челябинск (351)202-03-61 |
| Кемерово (3842)65-04-62 | Пермь (342)205-81-47 | Череповец (8202)49-02-64 |
| Киров (8332)68-02-04 | Ростов-на-Дону (863)308-18-15 | Ярославль (4852)69-52-93 |

Единый адрес: beh@nt-rt.ru **Веб-сайт:** www.bhr.nt-rt.ru

Модифицированные приборы Thermotronic 61-AAG2 Buhler

Thermotronic 61-AAG2 Thermotronic 61-AAG4

- Audi Specification



Since the viscosity of oil changes with temperature precise control of the actual temperature is most important in fluid power and lubrication systems. Depending on the application, continuous and precise control is essential.

The Thermotronic 61 series offers modern solid state electronics with an LED display for excellent visibility. This product was developed for applications in the fluid power industry.

The unit is based on a microprocessor and features up to six individually programmable alarm outputs, can be set in °C or °F and has a maximum and minimum memory. The Thermotronic allows almost all important control functions in hydraulic and lube systems such as minimum temperature, heater on/off, cooler on/off, alert, emergency off.

Operation and settings are done via three keys on the front panel. The unit can be installed as a remote display or directly attached to the sensor on the tank top.

The Thermotronic 61 AAG2 + 4 in the configuration shown overleaf complies with the AUDI requirements.

- **Freely programmable set points**
- **Digital LED display**
- **Maximum / minimum memory**
- **Data storage in case of power supply failure**
- **Display in °C or °F**
- **Various cable connectors**
- **Easy installation**
- **Versatile combinations**

Technical Data

TF M-PT 100

| | |
|-------------------------|-----------------------------------|
| Material probe | brass |
| Max. operating pressure | 5 bar |
| Length of probe | 380 mm |
| Temperature sensor | PT 100 class B DIN / IEC 751 / 4W |
| Connector | Male plug M12 (4 pol.) |
| Protection class | IP67 |

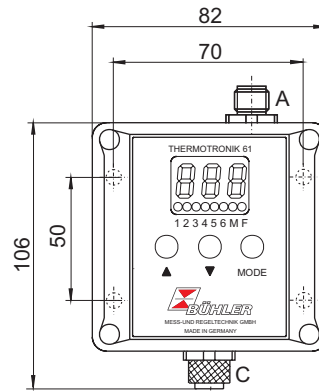
Thermotronik 61

| | |
|---------------------------------|--|
| Range of temperature display | from -20 to +120 °C / 4° to 248 °F |
| Range of alarm indication | 0 to +99 °C or 32° to 178 °F |
| Programmable set points | AAG2 = 2 x AAG4 = 4 x |
| Housing | ABS-plastic |
| Depth of housing | 55 mm |
| Protection class | IP 65 |
| Display | three digit seven segment-and LED-display light emitting diodes for status display |
| Current consumption at power up | about 140 mA for 100 ms |
| Operating current consumption | about 30 -70 mA |
| Supply voltage | 24 VDC ±10 % |
| Output switches | max. 24V / 1A |
| Ambient temperature | 0 - 70 °C |
| Accuracy | 1 % of full scale |
| Resolution | 1 °C / 2 °F |
| Programming | via three touch keys |
| Connector in | M12 (4-pol.) |
| Connector out | AAG2 = 1 x M12 (5-pol.) AAG4 = 2 x M12 (5-pol.) |

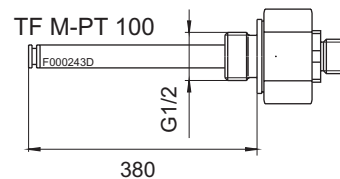
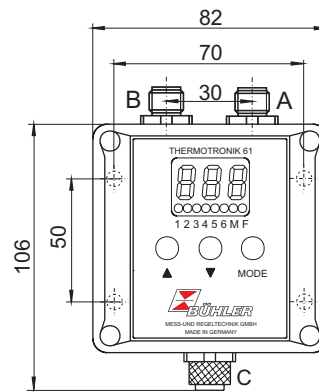
Scope of delivery

connection cable 2 x M12 length 1.5 m

Thermotronik 61-AAG2

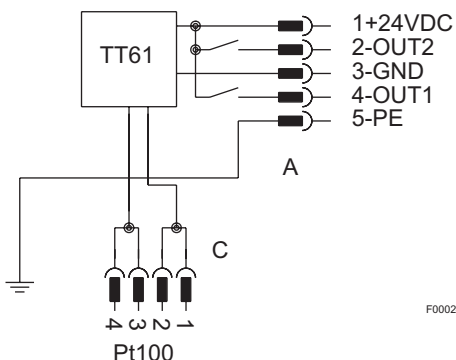


Thermotronik 61-AAG4

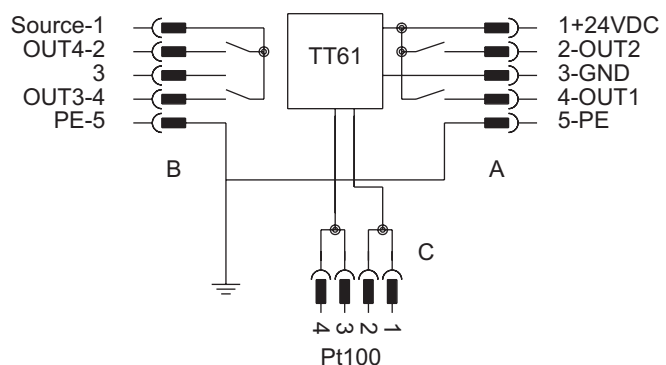


Wiring diagram

Thermotronik 61-AAG2



Thermotronik 61-AAG4



Order Information

Thermotronik 61-AAG2

| Part-no. | Length L |
|----------|----------|
| 1411899 | 380 mm |

Thermotronik 61-AAG4

| Part-no. | Length L |
|----------|----------|
| 1411999 | 380 mm |

Accessories

Part No. 9144050018

Connecting cable M12 x 1 with 5 pole M12 plug cable length: 3 m material: PUR

По вопросам продаж и поддержки обращайтесь:

| | | |
|-----------------------------|---------------------------------|--------------------------------|
| Архангельск (8182)63-90-72 | Краснодар (861)203-40-90 | Рязань (4912)46-61-64 |
| Астана (7172)727-132 | Красноярск (391)204-63-61 | Самара (846)206-03-16 |
| Белгород (4722)40-23-64 | Курск (4712)77-13-04 | Санкт-Петербург (812)309-46-40 |
| Брянск (4832)59-03-52 | Липецк (4742)52-20-81 | Саратов (845)249-38-78 |
| Владивосток (423)249-28-31 | Магнитогорск (3519)55-03-13 | Смоленск (4812)29-41-54 |
| Волгоград (844)278-03-48 | Москва (495)268-04-70 | Сочи (862)225-72-31 |
| Вологда (8172)26-41-59 | Мурманск (8152)59-64-93 | Ставрополь (8652)20-65-13 |
| Воронеж (473)204-51-73 | Набережные Челны (8552)20-53-41 | Тверь (4822)63-31-35 |
| Екатеринбург (343)384-55-89 | Нижний Новгород (831)429-08-12 | Томск (3822)98-41-53 |
| Иваново (4932)77-34-06 | Новокузнецк (3843)20-46-81 | Тула (4872)74-02-29 |
| Ижевск (3412)26-03-58 | Новосибирск (383)227-86-73 | Тюмень (3452)66-21-18 |
| Казань (843)206-01-48 | Орел (4862)44-53-42 | Ульяновск (8422)24-23-59 |
| Калининград (4012)72-03-81 | Оренбург (3532)37-68-04 | Уфа (347)229-48-12 |
| Калуга (4842)92-23-67 | Пенза (8412)22-31-16 | Челябинск (351)202-03-61 |
| Кемерово (3842)65-04-62 | Пермь (342)205-81-47 | Череповец (8202)49-02-64 |
| Киров (8332)68-02-04 | Ростов-на-Дону (863)308-18-15 | Ярославль (4852)69-52-93 |

Единый адрес: beh@nt-rt.ru **Веб-сайт:** www.bhr.nt-rt.ru